

# Data Sheet

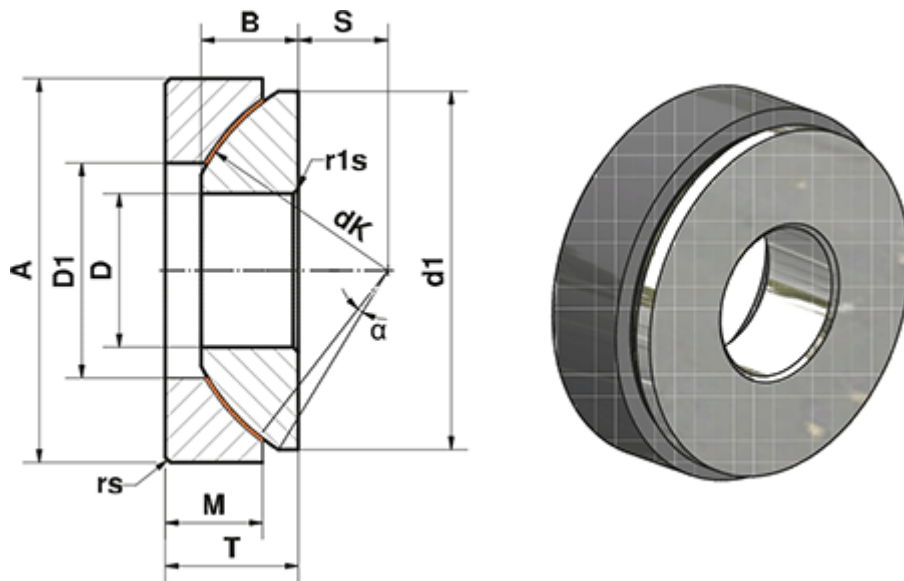


Article number: 03450280

Description: Fluro Heavy Duty Spherical Plain Bearing GE 280 AWE  
Hole  $\varnothing$ 280

Note: 280

## Measures



A	= 460	M	= 85
a (degrees)	= 4	rs, r1s min	= 3
B	= 100	S	= 80
D	= 280	Static load C0 (kN)	= 28561
D1	= 337	T	= 110
d1 min	= 445	Weight (g)	= 48700
dK	= 480		
Dynamic load C (kN)	= 17136		